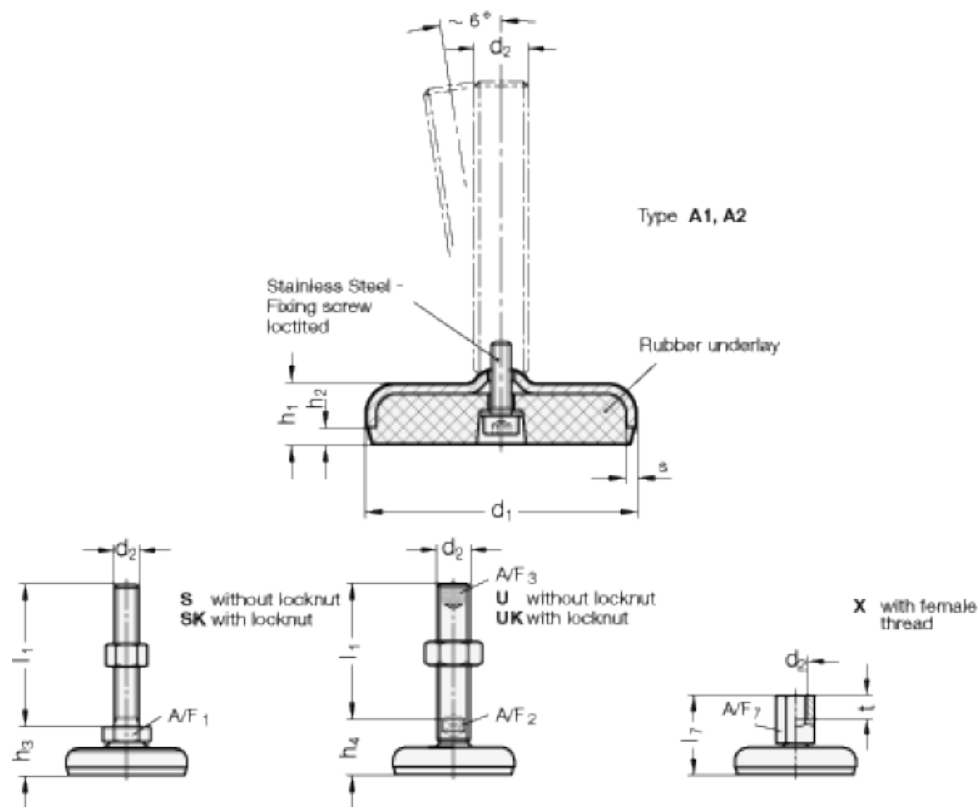


Article number: 2030100M24125A2U

Description: E+G levelling foot  
GN 30-100-M24-125-A2-U

Note: U Without nut, Hexagon socket at the top, Wrench flat at the bottom

## Measures



A/F2 = 19

$s = 3$

A/F3 = 12

$d_1 = 100$

$d_2 = M24$

$h_1 = 20$

$h_2 = 6$

$h_4 = 38$

$l_1 = 125$